

# ASSEMBLY INSTRUCTIONS



Model: 556038



## WARNING! ENTRAPMENT OR CRUSHING RISK

Ensure there is no person, animal or item obstructing the area under the footrest before operating this product.



## SAFETY INSTRUCTIONS

Please read these instructions carefully before operating.

- Ensure there is no person, animal or item obstructing the area under the footrest before operating this product.
- Improper use or installation may result in the risk of fire, electric shock and/or injury. We assume no liability for any eventual damages caused by improper use or inappropriate handling, or by any other non-compliance with the instructions in this manual.
- This product is not intended for use by persons (including children) with reduced physical, sensory or mental capabilities, or lack of experience and knowledge, unless they have been given supervision or instruction concerning use of the product by a person responsible for their safety.
- Children should be supervised to ensure that they do not play with the product.
- This product contains moving parts. Keep fingers, hair and body parts well clear from moving parts. To reduce the risk of injury, keep children and pets clear of the product when in use.
- Do not sit or place additional weight on the arms, back or open footrest. Damage caused as a result of excessive force is not covered under warranty.
- This product is very heavy. Only move this product by lifting the main body. Never drag by the footrest, back or arm rest.
- Return this product to the full upright position to stand safely and prevent a tripping hazard.
- Do not operate this product if damage is visible in any form.
- Do not modify or use unauthorised substitute parts.
- This product has been designed and intended for indoor residential use only. It is not suitable for commercial or outdoor use.
- This product is not intended to be used as part of a health care plan. Consult your medical professional before operating if you are taking medication or have physical limitations.



## ELECTRICAL SAFETY

Please read these instructions carefully before operating.





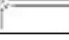
- Never force the back or footrest to close faster than the electric motor.
- Before commencing cleaning or maintenance, ensure this product is disconnected from the power outlet and the back is in the full upright position.
- Disconnect this product from the power outlet before moving.
- Cease operation and disconnect from the power outlet if you ever detect a burning odour or smoke coming from the product.
- Do not operate this product if liquid spillage occurs on or around it. Disconnect from the power outlet and allow product to completely dry before reconnecting.
- Do not operate the power functions or charge station with wet hands.
- Check the condition of the power cord, electrical cords, transformer, plug and connector on a monthly basis. Do not operate if wear is visible.
- Ensure the power cord, electrical cords and transformer are clear of moving parts and not trapped underneath the base.
- Position the power cord to minimise a tripping hazard.
- Never attempt to open or disassemble electrical components.
- We recommend the use of a surge protector (not included).

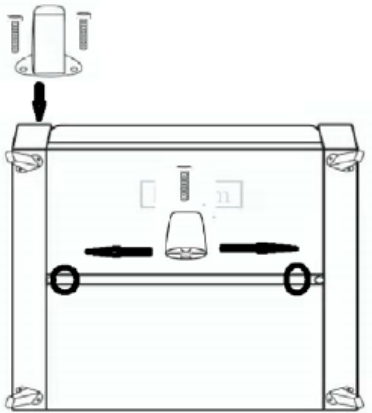
# ASSEMBLY INSTRUCTIONS

Please read these instructions carefully before assembling.






1. Assemble this product in an open space with room to move.
2. Remove the legs from the zipped compartment found in the bottom of the product. Attach the timber legs with 2 bolts and the plastic legs with 1 bolt as per the locations below in Figure 1. Carefully rotate the product to the upright position once all legs are attached.

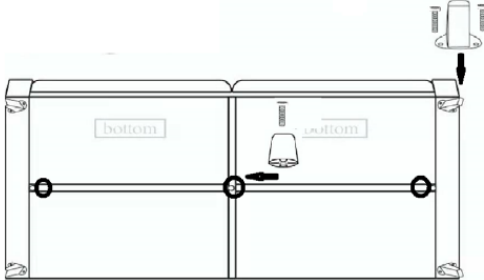
### Electric Recliner/ 1E

Part list		
A		4
B		2
C		10
D		10
E		1








### 2 Seat 2 motor Recliner / 2EE

Part list		
A		4
B		3
C		11
D		11
E		1



### 3 Seat 2 motor Recliner/ 3EE

Part list		
A		4
B		4
C		12
D		12
E		1

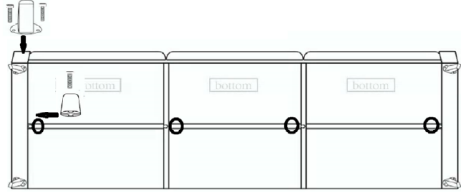


Figure 1

3. Connect the cable between the seat base and back for the power headrest (Figure 2). Repeat for all seats except the middle seat on the 3 Seater. **It is important to do this before connecting the seat backs.**
4. Connect the seat backs to the bases by sliding the metal receivers on the seat back into the metal posts on the base (Figure 3). Ensure the correct seat back has been selected and that both sides align before pushing down firmly into place. The seat backs are heavy. Ask for help if you need assistance aligning the posts and receivers.



Figure 2

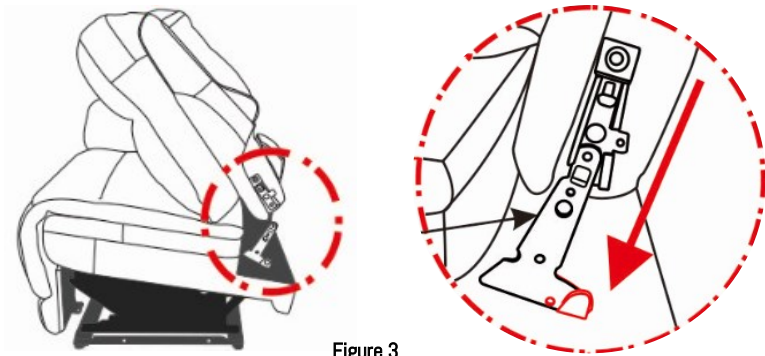


Figure 3

5. Connect one end of the power supply into the switch at the rear of the suite and plug the other into a power outlet.
6. Your suite assembly is now complete and it is ready to be switched on at the red switch at the rear of the suite and at the power outlet.
7. Please read the safety and electrical instructions before operating.

**If you are having any issues please try the following solutions.**

- Unplug the suite for 5 minutes to reset all electrical components.
- Check that all plugs are plugged into a power outlet and are secure. Please check that the power outlet is switched on. Check the red switch at the rear of the suite is switched on.
- Check to ensure that all connection cords are properly connected, as per the step by step instructions. There are multiple connections, any of which being too loose may cause performance issues.
- Ensure the correct back is on the correct base – Eg: left back is on left base.
- Check all connections and switches before contacting the store for more help.

**If the suite continues to fail please contact the store it was originally purchased from.**

Synargy is a registered responsible supplier on ERAC. Electrical components within our products have been tested and comply with all legal requirements imposed for electrical safety and EMC.